



Industrial Floor Drain

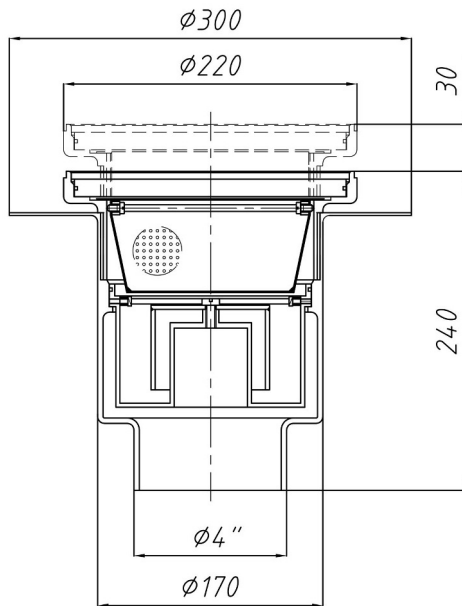
Pharmaceutical Floor Drain

Technical Data

Cover Option
Round Grating
Round Solid
Square solid outer ring

- Flow rate up to 90 l/min
- Maximum weight up to 10 ton

Industrial Floor Drain
 Art No. 38-02-001-00000 (SS304)
 Art No. 38-02-002-00000 (SS316)

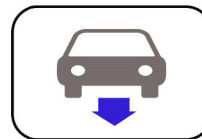


Pharmaceutical Floor Drain
 Art No. 38-01-001-00000 (SS304)
 Art No. 38-01-002-00000 (SS316)

Features



Stainless steel 304 or 316 chemical and corrosion resistance material



Heavy duty stainless steel cover

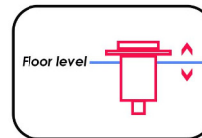


Water Trap & Perforated Strainer

Perforated strainer and Water trap



Chemical resistance seal



Floor level

Adjustable cover with floor level



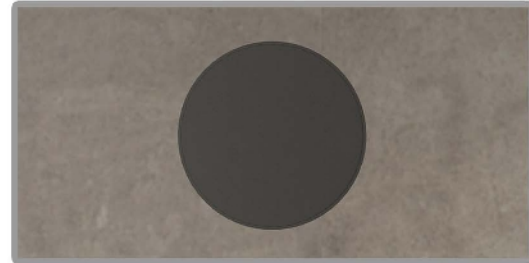
Industrial and Pharmaceutical Floor Drain For Industry

Features



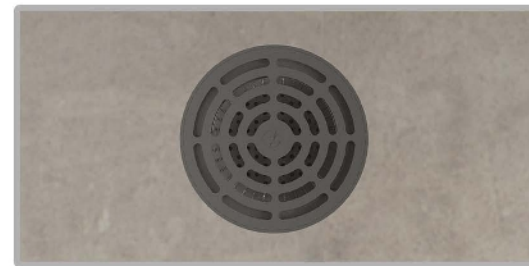
Pharmaceutical Floor Drain

- Stainless steel 304/316 Casting with certificate
- Heavy duty 10 Ton
- Flow rate \pm 90 L/min
- Adj height at 240 – 270 mm
- Cover with chemical resistance seal
- Strainer
- Water Trap 50 mm with chemical resistance seal
- Outlet 4 inch
- Art No 38-01-001-0000 for SS304
- Art No 38-01-002-0000 for SS316

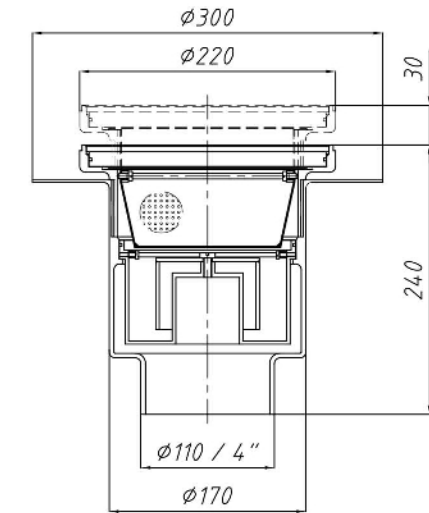
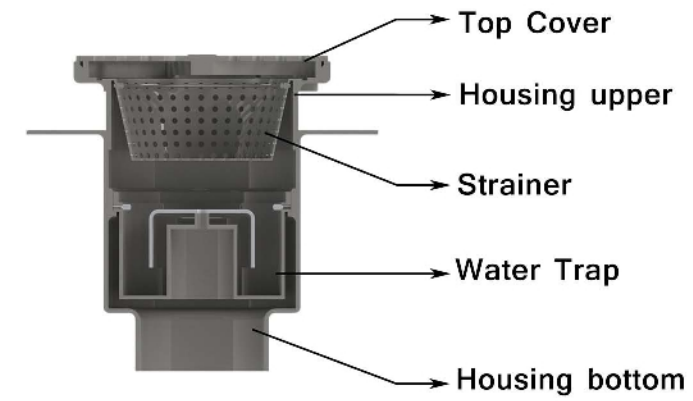


Industrial Floor Drain

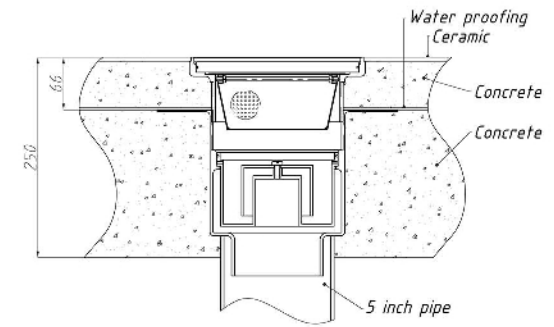
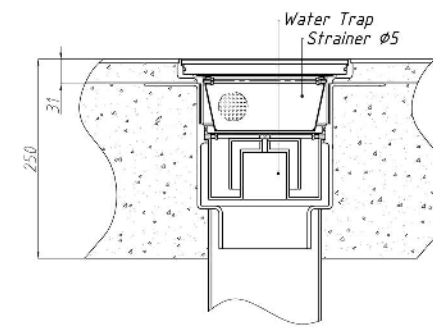
- Stainless steel 304/316 Casting with certificate
- Heavy duty \pm 10 Ton
- Flow rate \pm 90 L/min
- Adj height at 240 – 270 mm
- Cover with Pin Locking system
- Strainer
- Water Trap 50 mm with chemical resistance seal
- Outlet 4 inch
- Art No 38-02-001-0000 for SS304
- Art No 38-02-002-0000 for SS316



Dimension



Instalation



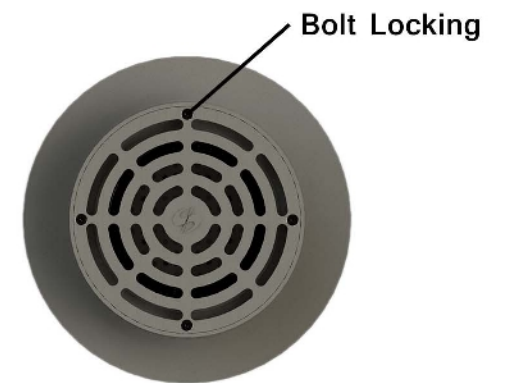
Additional



Suction lifters



External square cover



Bolt locking system