

# INDUSTRIAL & SAFETY



# Brand



**SAFETY SHOWER**



AUSTRALIA

**SPILL PALLET**



INDONESIA

**INDUSTRIAL FLOOR DRAIN & GREASE TRAP**

**EMERGENCY  
SHOWERS**

**EYE AND EYE/FACE  
WASHER**

**PORTBLE AND SELF  
CONTAINED**

**LABORATORY  
SAFETYDECONTAMI  
NATION**





- Durable stainless Steel Construction
- Yellow powder coated activation
- Self draining to minimise the risk of bacteria growth
- Certified AS4775 & ANSI Z358.1



**Lighting 01**



**02 Alarm Systems**



**06 Signage**

**Protection from the elements 03**

**03**



**04 Corrosive Environments**

**04**

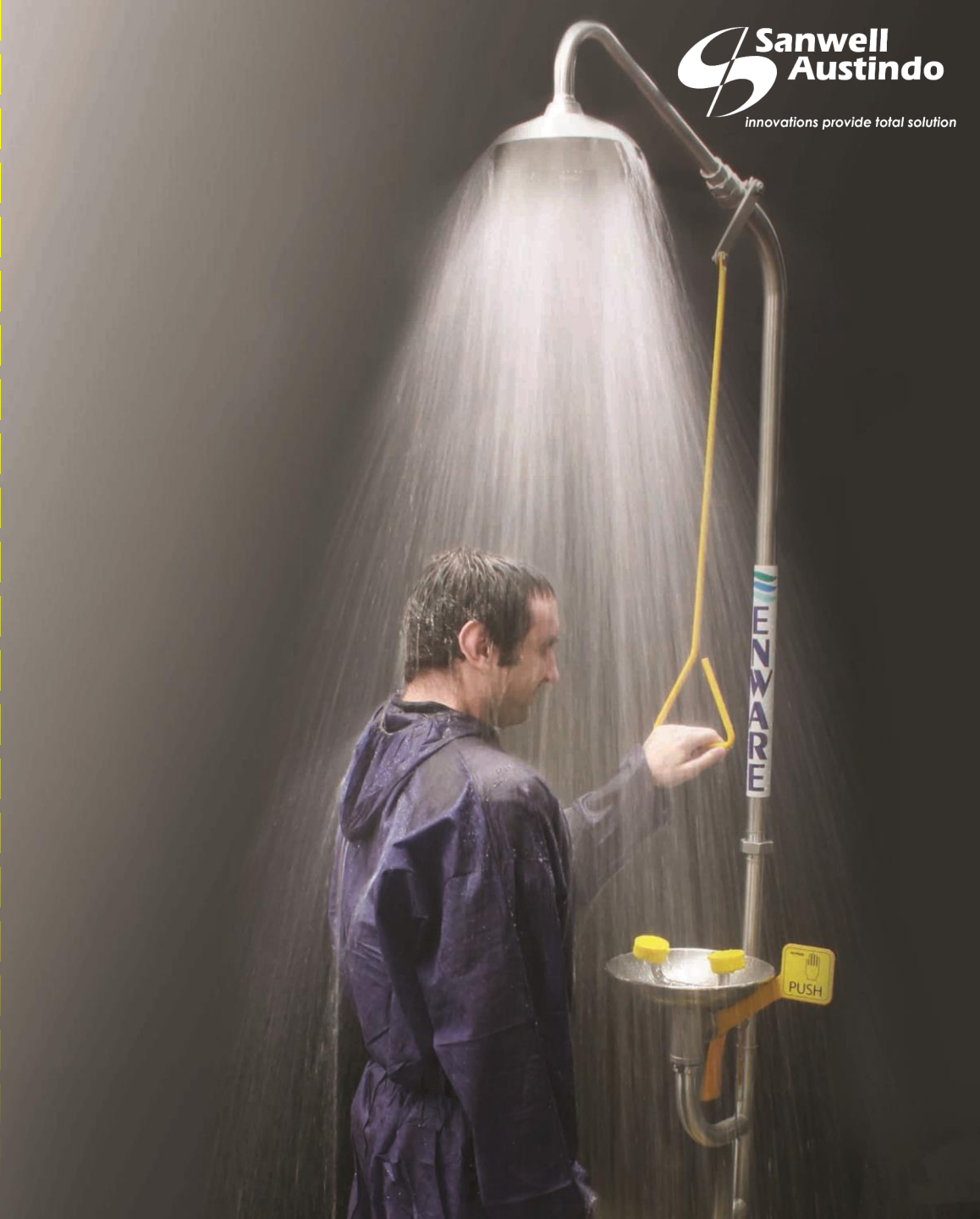
**Eye Wash 05**

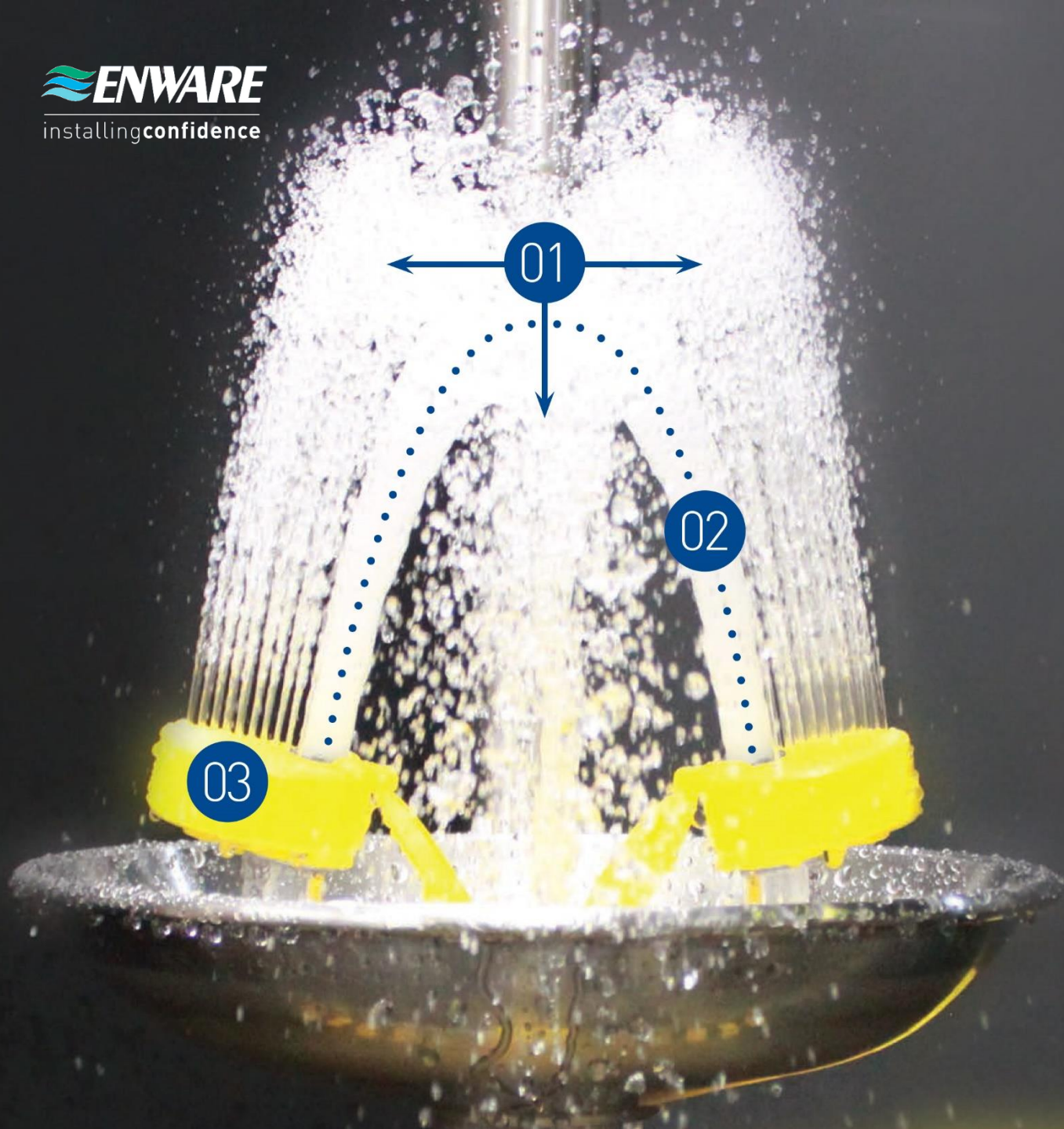
**05**



**07 Optional Pedal**

**07**





# Enware VERTECH™ Technology for effective relief when **you need it** most

- 01 Zero Velocity point provides more comfort and control
- 02 Dedicated eyewash streams for targeted flushing of eyes
- 03 Independently angled face wash streams provide optimum coverage



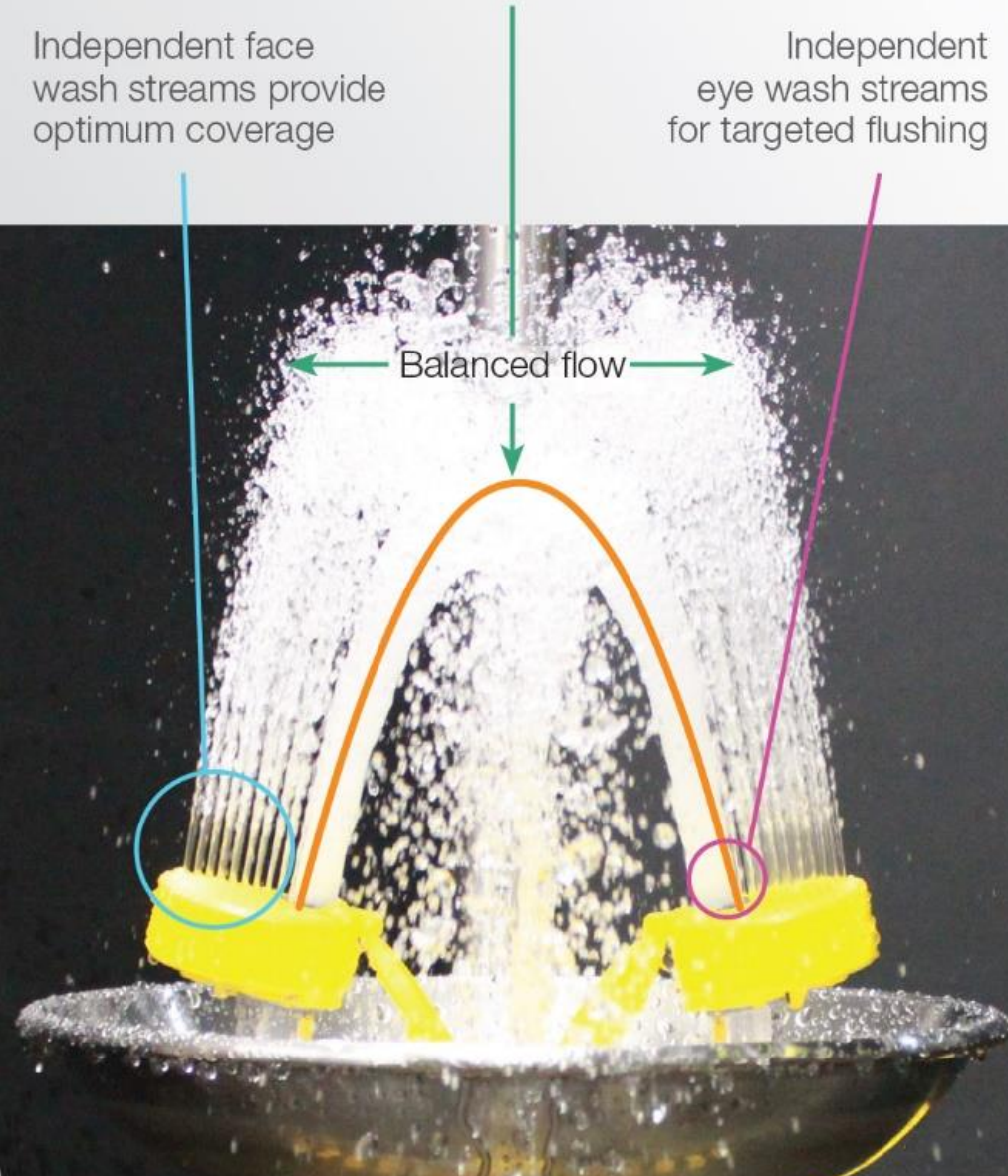
Water  
Flow

## FEATURING NEW BREAKTHROUGH VERTEX TECHNOLOGY

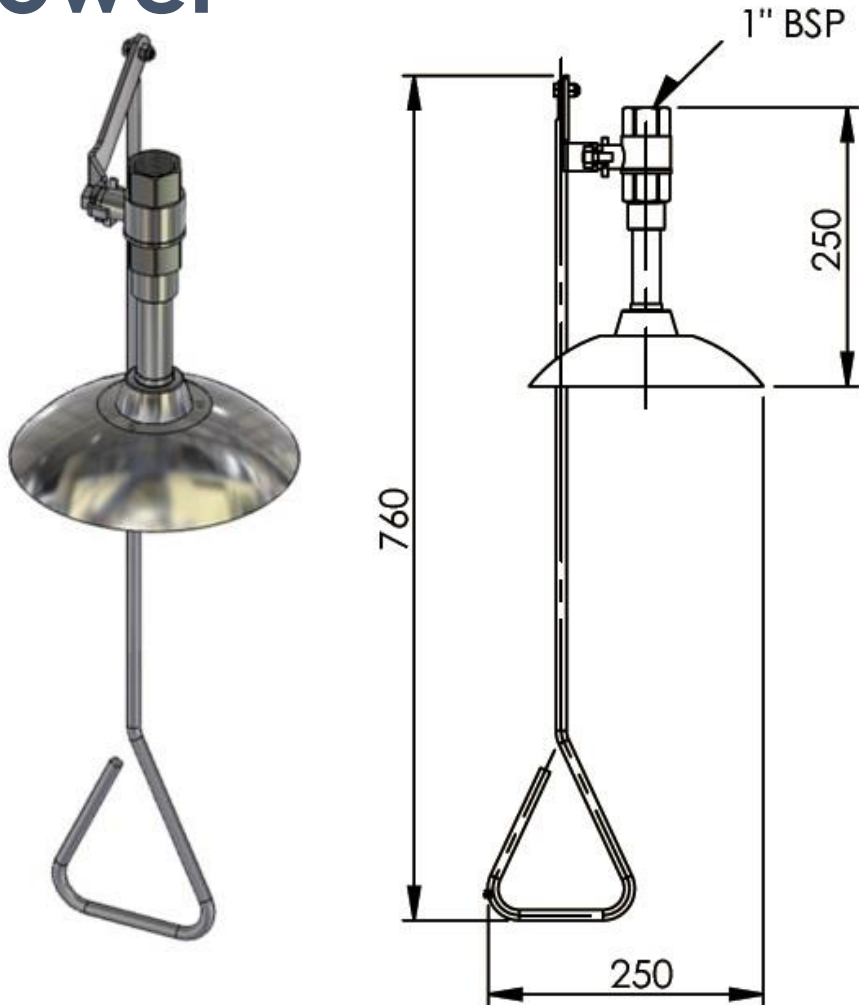
Zero velocity point provides more comfort and control

Independent face  
wash streams provide  
optimum coverage

Independent  
eye wash streams  
for targeted flushing



# Ceiling mounted hand operated deluge shower



- Stainless Steel 304 or 316
- Optional powder coating

## Standard Colours



Green



Yellow



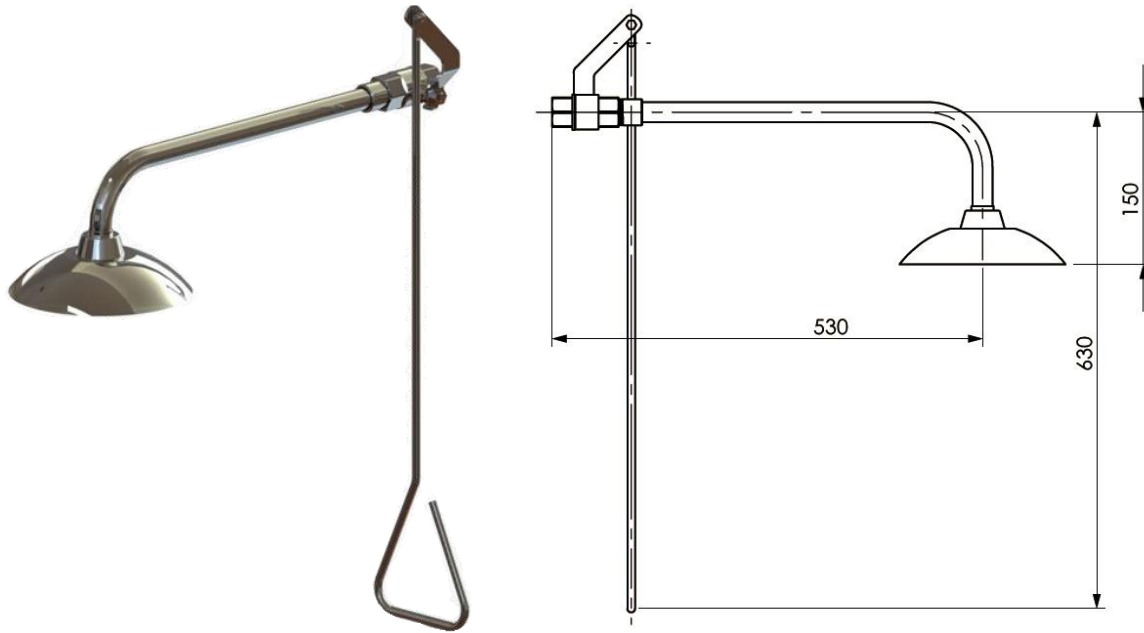
Orange



White



# Wall Mounted Hand Operated Deluge Shower



- Stainless Steel 304 or 316
- Optional powder coating

## Standard Colours



Green



Yellow

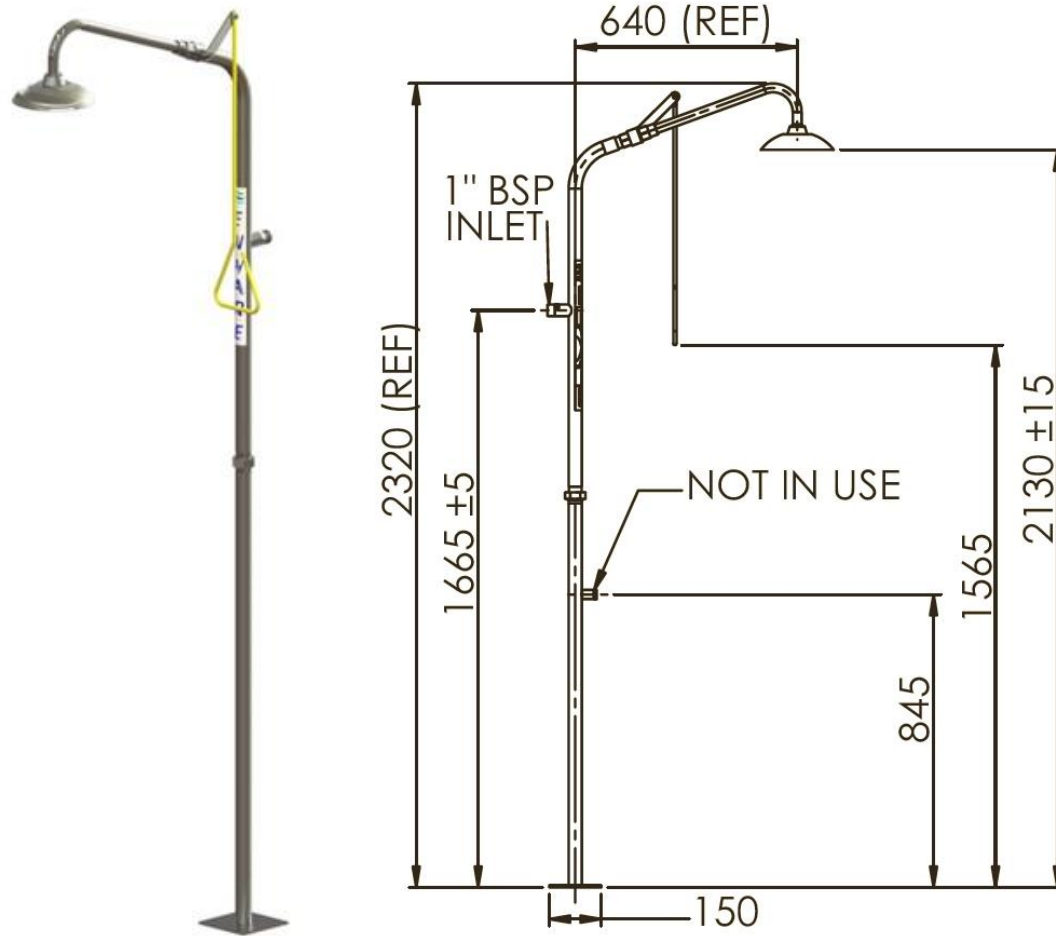


Orange



White

# Emergency stainless steel shower



- Stainless Steel 304 or 316
- Optional powder coating

## Standard Colours



Green



Yellow

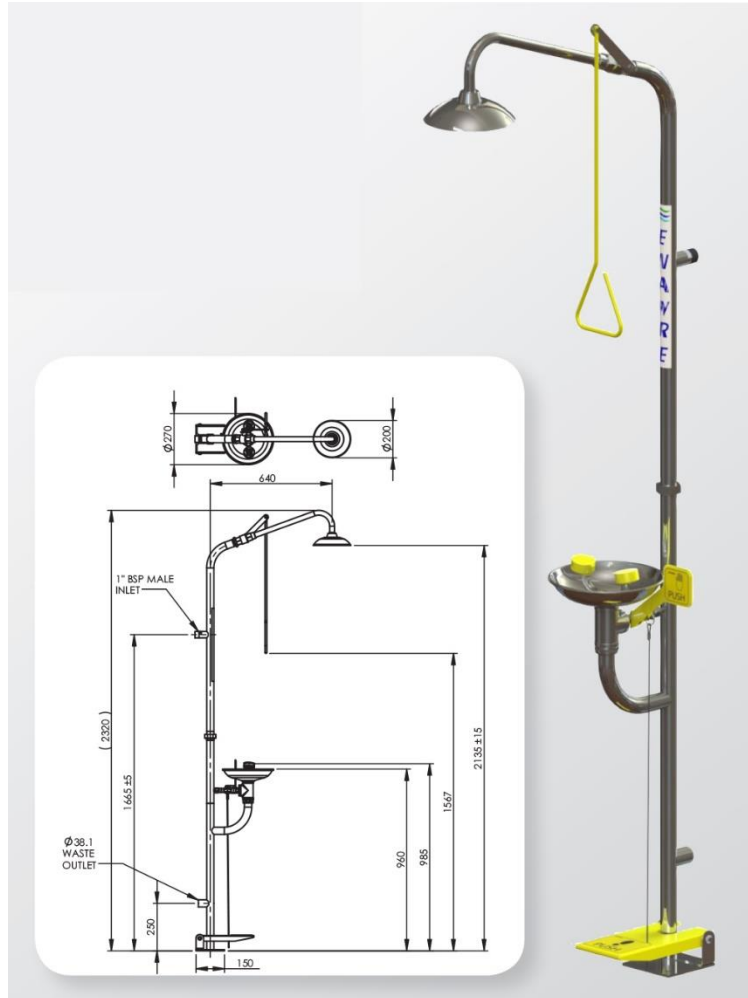


Orange



White

# Stainless Steel Combination Shower with Hand/Foot Operated EYE/FACE Wash



- Stainless Steel 304 or 316
- Optional powder coating

## Standard Colours



Green



Yellow



Orange



White



## Free Standing Hand Operated And Platform Operated Eye Wash



- Stainless Steel 304 or 316
- Optional powder coating

### Standard Colours



Green



Yellow



Orange

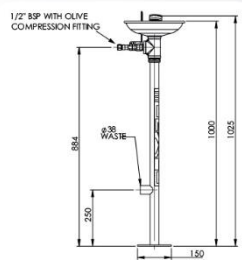


White

# EYE/FACE WASH

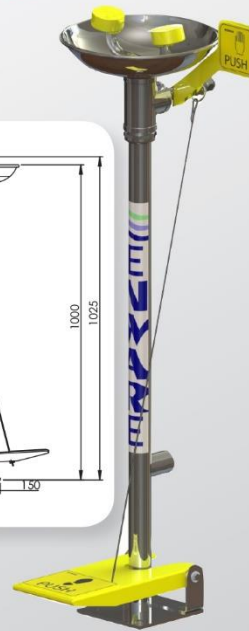
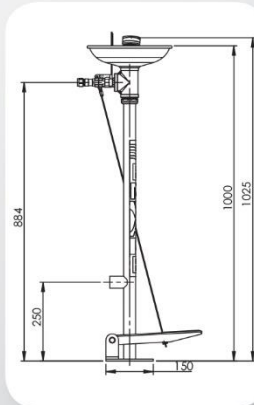
## EYE/FACE WASH PEDESTAL MOUNTED - HAND OPERATED

Order Code:  
**EFE360** - Stainless Steel Finish  
Powder Coated Finish:  
**EFE360GR** - Green  
**EFE360WH** - White  
**EFE360YE** - Yellow  
**EFE360OR** - Orange



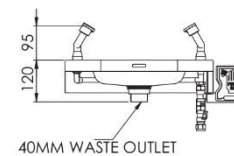
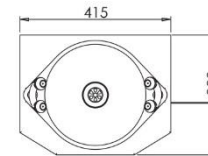
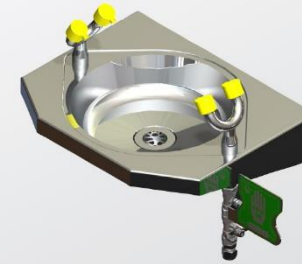
## EYE/FACE WASH PEDESTAL MOUNTED HAND/FOOT OPERATED

Order Code:  
**EFE390** - Stainless Steel Finish  
Powder Coated Finish:  
**EFE390GR** - Green  
**EFE390WH** - White  
**EFE390YE** - Yellow  
**EFE390OR** - Orange



## WALL MOUNTED HAND OPERATED EYE/FACE WASH

Order Code:  
**EF300** - Stainless Steel Finish  
Powder Coated Finish:  
**EF300GR** - Green  
**EF300WH** - White  
**EF300YE** - Yellow  
**EF300OR** - Orange



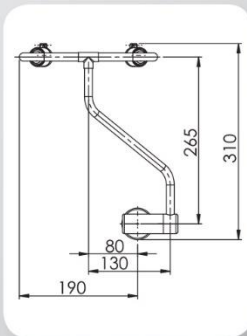
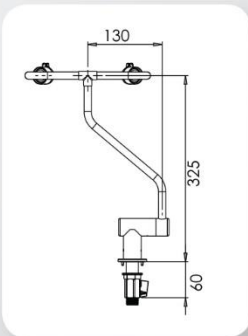
# Sink Mounted Eye Wash

## BENCH MOUNTED PULL DOWN EYE WASH

- Wall or bench mounted models
- Pull down eye wash arm to activate water flow
- Soft aerated outlets with flip-top dust covers

Order Code:  
**EL486** - Bench Mounted  
**EL487** - Wall Mounted

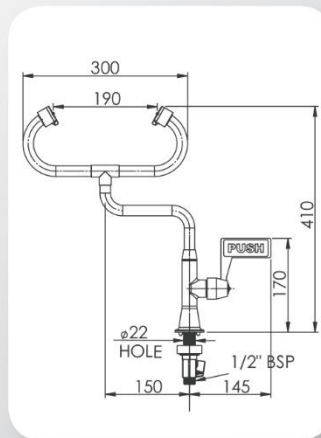
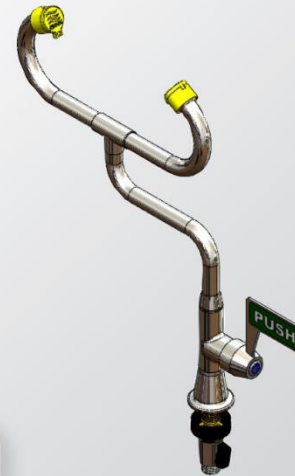
*Note: for AS4775-2007 compliance the outlet height when in the on position must be between 838 and 1143mm from floor.*



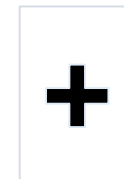
## SWIVEL OVER SINK MOUNTED EYE WASH

- Swivels over sink when required
- Bright chrome plated
- Powder coated option available

Order Code:  
**EL570**  
Bench Mounted  
Standard Chrome Finish  
**EL570E**  
Bench Mounted  
Epoxy Coated Finish



*Note: for AS4775-2007 compliance the outlet height when in the on position must be between 838 and 1143mm from floor.*





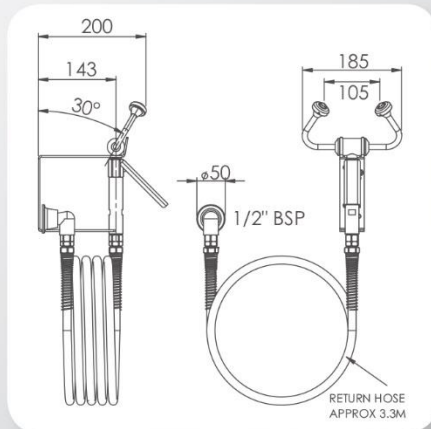
# Wall Mounted Hand Held Eye Wash

## WALL MOUNTED HAND HELD EYE WASH AND BODY SPRAY

- Premium grade nylon 3.3m self-coiling hose allows for body spray flushing of incidental contaminants from the body
- Includes angled eye wash outlets
- Stay open ball valve activation lever on outlet handle



Order Code: **EL485**

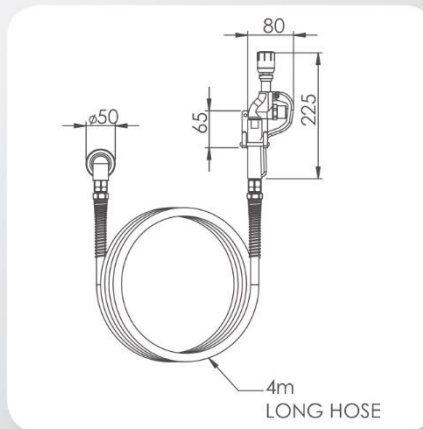


*Note: for AS4775-2007 compliance the outlet height when in the on position must be between 838 and 1143mm from floor.*

## WALL MOUNTED HAND HELD SINGLE OUTLET EYE WASH AND BODY SPRAY

- Aerated adjustable spray nozzle
- Chrome plated brass body
- Premium grade nylon 4m self-coiling hose

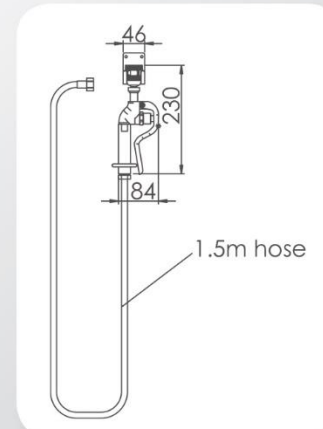
Order Code: **EL450**



## WALL MOUNTED HAND HELD SINGLE OUTLET EYE WASH AND BODY SPRAY

- Aerated adjustable spray nozzle
- Chrome plated brass body
- Stainless steel braided 1.5m hose

Order Code: **EL420**



# MULTI-SPRAY AND PORTABLE SHOWERS



## FREE STANDING PLATFORM OPERATED MULTI-SPRAY SHOWER WITH HAND OPERATED EYE/FACE WASH

- 16 Multi-spray outlets
- Three side panels
- Step on shower activations
- Hand operated eye/face wash

Order Code: **EM690**

Side Panels can be Powder Coated in: Green, White, Yellow and Orange. Please specify when ordering.



## FREE STANDING HAND OPERATED MULTI-SPRAY SHOWER & EYE/FACE WASH

- 16 Multi-spray outlets
- Three side panels
- Hand operated eye/face wash

Order Code: **EM660**

Side Panels can be Powder Coated in: Green, White, Yellow and Orange. Please specify when ordering.



## FREE STANDING DUAL PLATFORM OPERATED MULTI-SPRAY SHOWER & EYE/FACE WASH

- 16 Multi-spray outlets
- Three side panels

Order Code: **EM900**

Side Panels can be Powder Coated in: Green, White, Yellow and Orange. Please specify when ordering.

**ALSO AVAILABLE:** FREE STANDING DUAL PLATFORM OPERATED MULTI-SPRAY SHOWER & EYE/FACE WASH WITH AUDIBLE/VISUAL ALARM & FLOW SWITCH

Order Code: **EM930**



# RELOCATED SELF – EMERGENCY SHOWER with EYE WASH



Fully Self



Gravity Tank Shower



# Accessories - SIGNAGE



## Safety Shower Sign

300 x 400mm

Self Adhesive Sticker: **ESS502**

Colourbond Metal: **ESS503**



## Emergency Eye Wash Sign

300 x 400mm

Self Adhesive Sticker: **ESS501**

Colourbond Metal: **ESS504**



## Combination Shower and Eye Wash Sign

600 x 450mm

Colourbond Metal: **ESS505**

# SPILL PALLET



## **SUPERIOR QUALITY:**

Made with virgin polyethylene with UV inhibitor for maximum chemical resistance and longer life.

## **INCREASED PRODUCTIVITY:**

Lightweight, economical material handling and storage to let workers move more products quickly and safely.

## **LIMITED WORKER EXPOSURE:**

Accidents and exposure to hazardous materials reduced.

## **REDUCED MATERIAL COSTS:**

Our products let you reclaim spills and maximise material utilisation.



**smarter  
stronger  
safer**

## **REDUCED DISPOSAL COSTS:**

By reclaiming spilled material, disposal costs are reduced, saving thousands of dollars per incident.

## **LOWER INSURANCE COSTS:**

Workers' compensation premiums may be reduced with the right facilities plan and materials handling products.

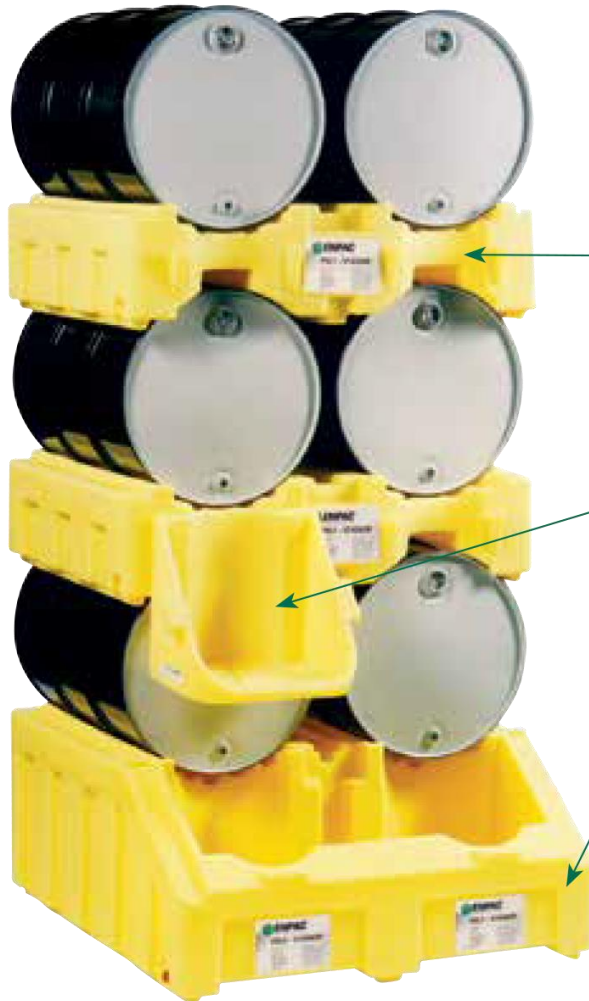


# SALVAGE DRUMS



# THE POLY – RACK SYSTEM

Smart storage  
and dispensing  
solution



POLY-STACKER

POLY-SHELF

POLY-RACKER



# POLY-DOLLY



# IBC STORAGE



Grates on centre pedestal offer skid resistance

Stronger stable design 3,628 kg UDL



Forkliftable unladen

Integrated Pail Holder

Includes a drain for the sump

Drain plug for recovery of spilled product



# WORK STATION



Products shown include 2, 4, 6 and 8-drum workstations & two multi-purpose work ramps with three sets of link-locks



MULTI-PURPOSE WORK RAMP™



LINK-LOCK™



GRATES

# SPILL PALLETS



Strong 2,700 kg  
UDL capacity

250 litre sump  
capacity meets  
EPA guidelines

Larger footprint  
for improved  
safety and spill  
protection

fork from  
all sides

Raised edge  
improve load  
security

smarter  
rigid design

Polyethylene  
construction for  
superior chemical  
resistance

Translucent  
for easy spill  
identification

Extra support  
on corners to  
maintain pallet  
integrity



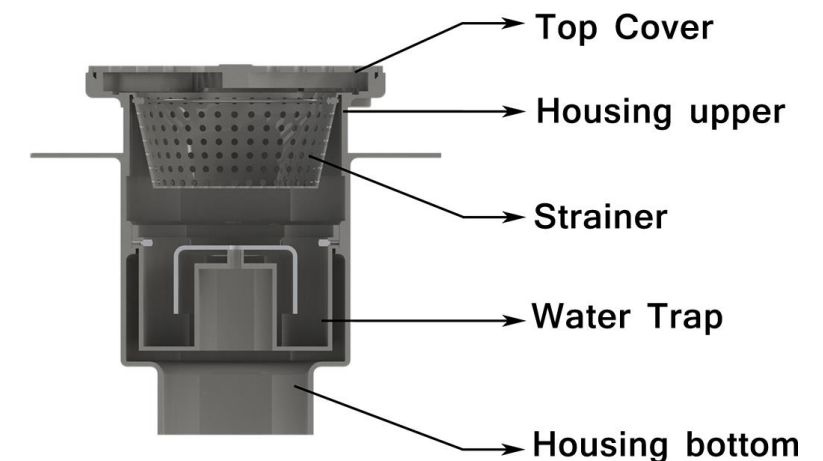
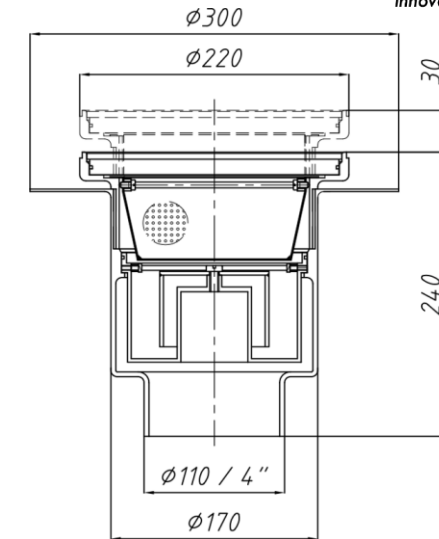
# INDUSTRIAL FLOOR DRAIN

## Industrial Floor Drain

- Stainless steel 304/316 Casting with certificate
- Heavy duty  $\pm 10$  Ton
- Flow rate  $\pm 90$  L/min
- Adj height at 240 – 270 mm
- Cover with Pin Locking system
- Strainer
- Water Trap 50 mm with chemical resistance seal
- Outlet 4 inch

Art No 38.02.001.0000 for SS304

Art No 38.02.002.0000 for SS316







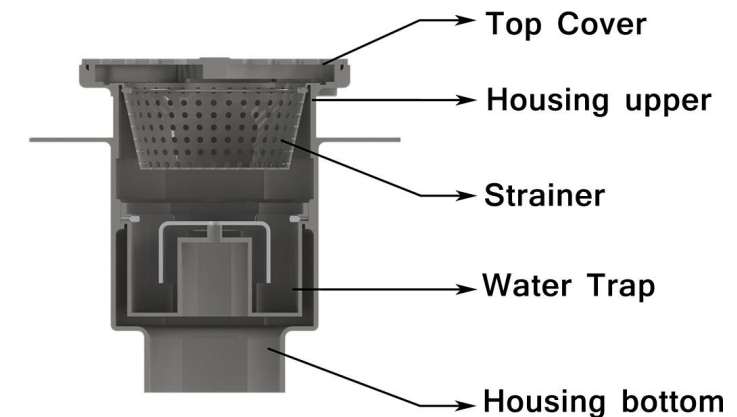
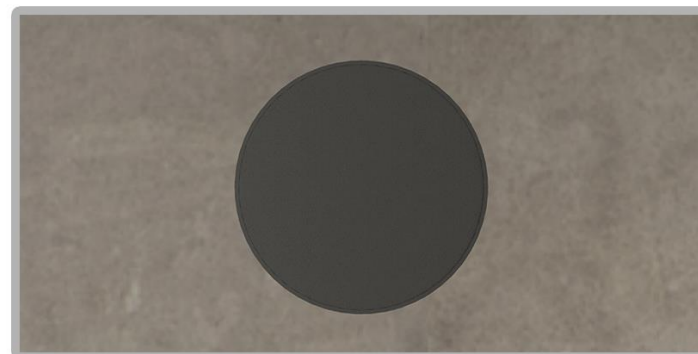
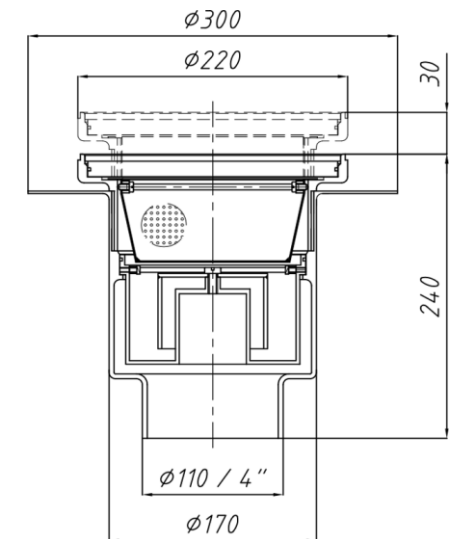
# PHARMACEUTICAL FLOOR DRAIN

## Pharmaceutical Floor Drain

- Stainless steel 304/316 Casting with certificate
- Heavy duty 10 Ton
- Flow rate  $\pm$  90 L/min
- Adj height at 240 – 270 mm
- Cover with chemical resistance seal
- Strainer
- Water Trap 50 mm with chemical resistance seal
- Outlet 4 inch

Art No 38.01.001.0000 for SS304

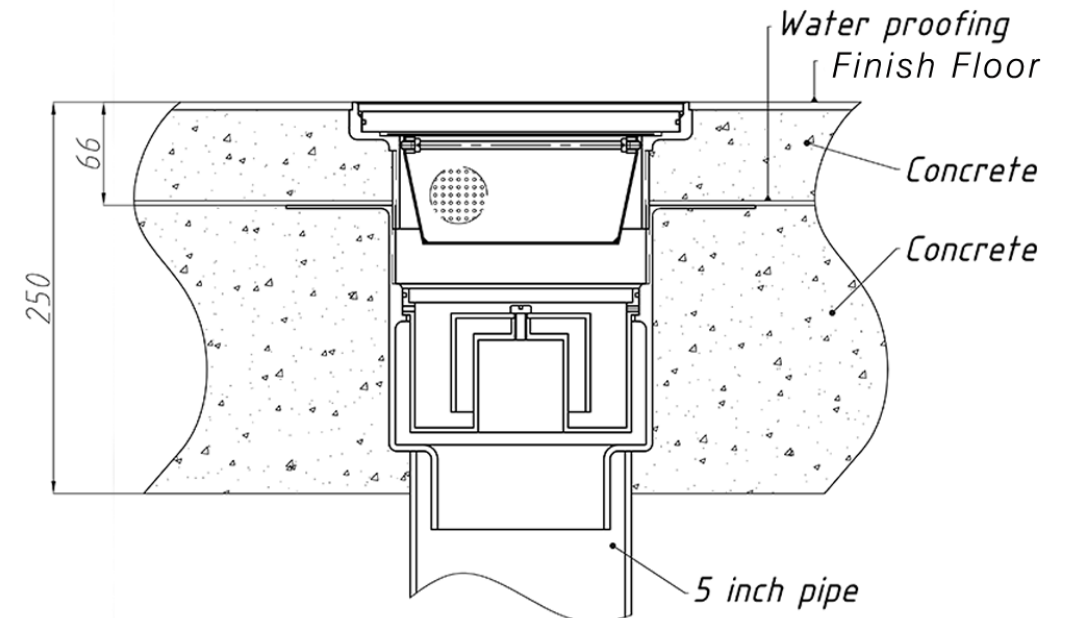
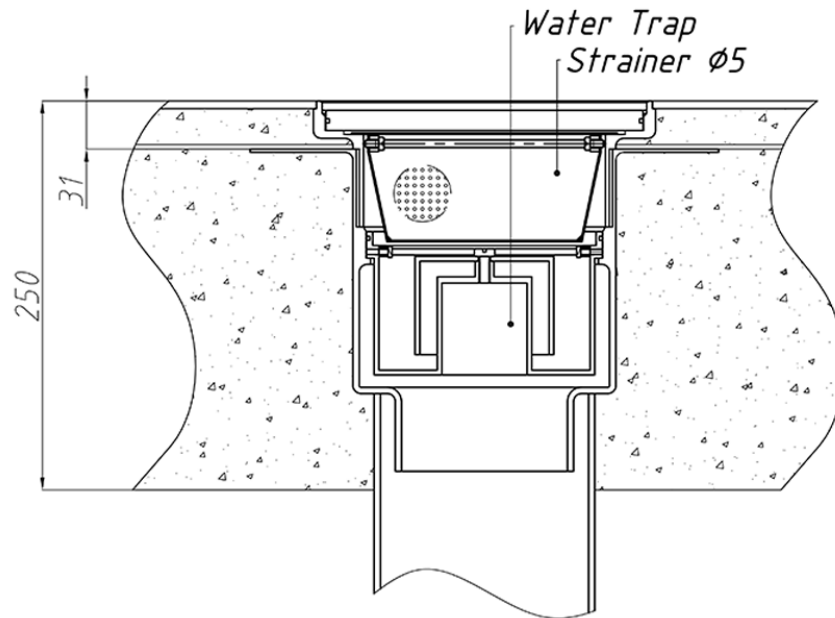
Art No 38.01.002.0000 for SS316







# INSTALLATION

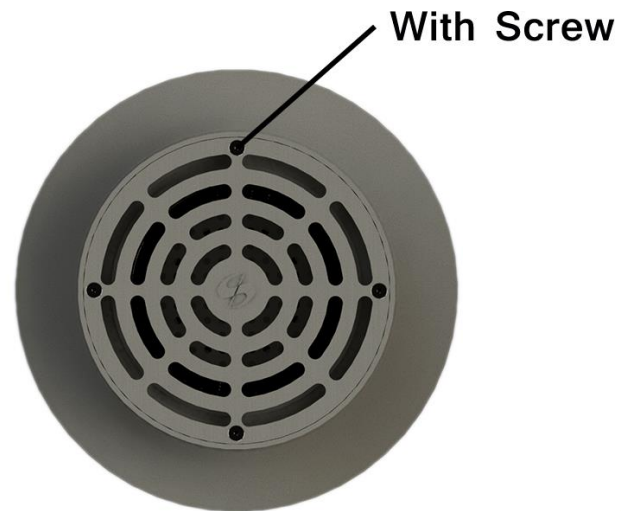




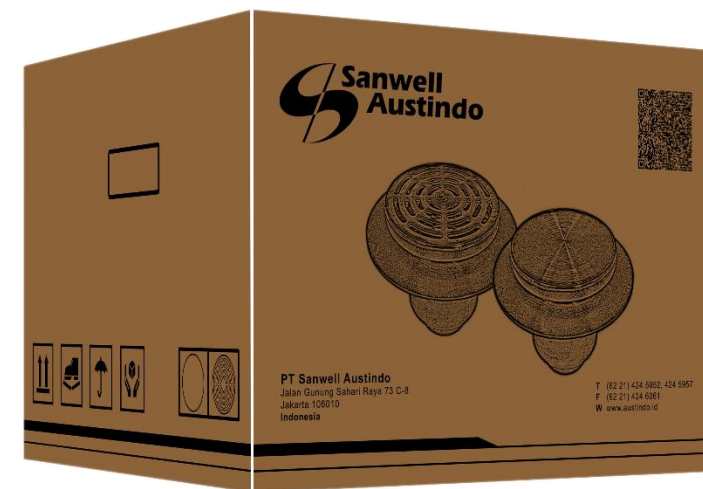
# ACCESSOREIS



Suction lifters



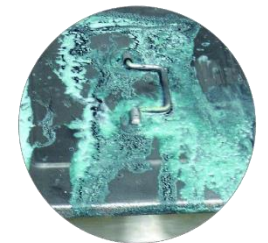
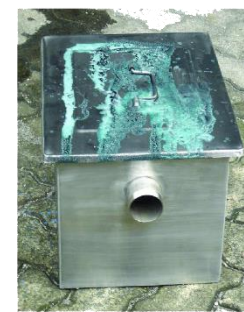
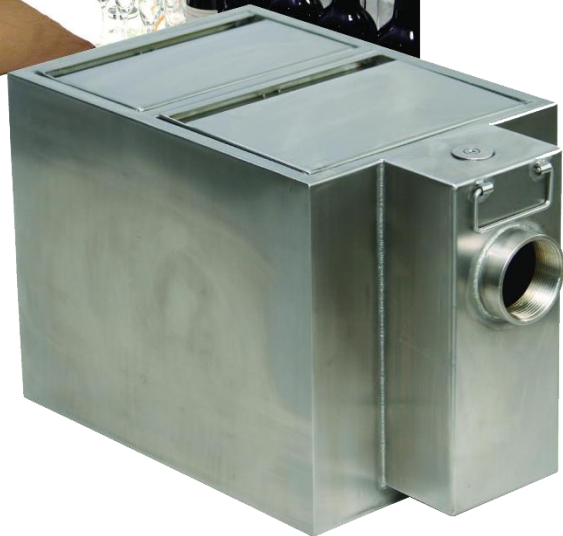
Fixing Screw



Packaging



# GREASE TRAP



Acid Resistance

- Stainless Steel 304
- Fully Welded
- SUCOFINDO Certified



**TERIMA KASIH**