

Emergency Stainless Steel Combination Shower with Hand/Foot Operated Eyewash

Enware's emergency safety showers assist in the rapid removal of contaminants from the body with a deluge of flushing fluid and eyewash units flush hazardous contaminants and irritants from eyes.

Designed and manufactured in Australia.

Stainless steel construction provides superior durability and reliability.

Features

- Independently tested for compliance to ANSI Z358.1 and AS4775
- Freestanding for stand-alone operation
- Stainless steel pipe work and stay-open ball valve
- Stainless steel 200 mm (8") shower head assembly
- Stainless steel pull rod activated shower with high visibility yellow epoxy coating
- Push or foot activated eyewash with soft aerated flow and integral auto-open dust covers
- Zero velocity eyewash apex point provides more comfort and control for effective cleansing of eyes
- Self-draining design reduces Legionella risk, particularly tepid water applications
- Solid stainless, low angle foot pedal for easy activation of eyewash
- High visibility yellow epoxy coated push handle and foot pedal
- Balanced simultaneous operation

ECE090



Product Codes

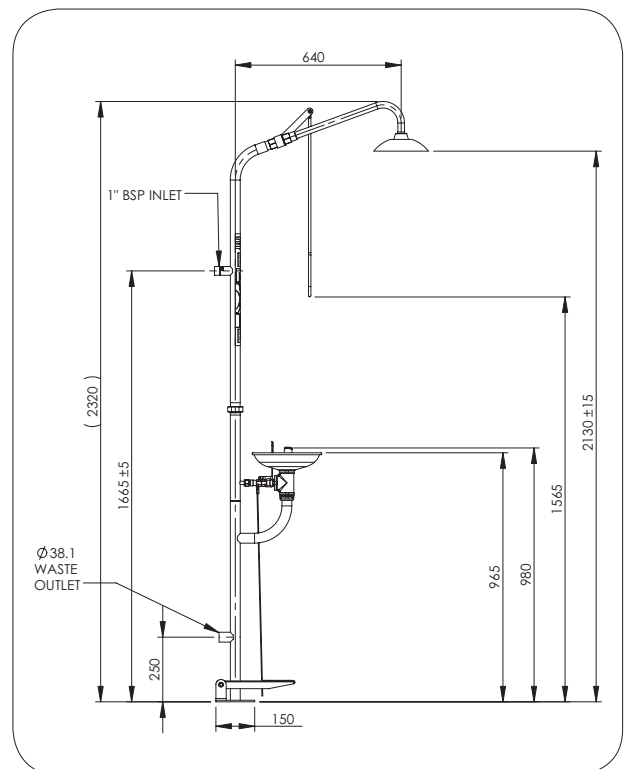
ECE090	Standard Brushed Stainless Steel Finish
ECE090GR	Green Epoxy Powder coated Finish
ECE090OR	Orange Epoxy Powder coated Finish
ECE090YE	Yellow Epoxy Powder coated Finish
ECE090WH	White Epoxy Powder coated Finish

Additional options:

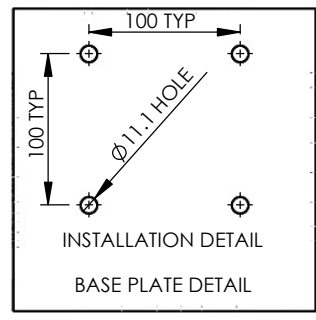
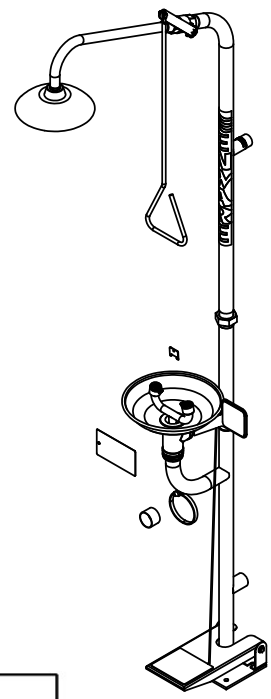
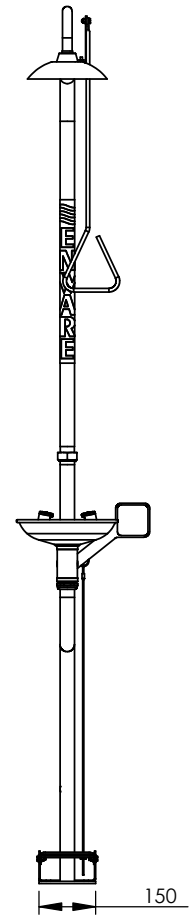
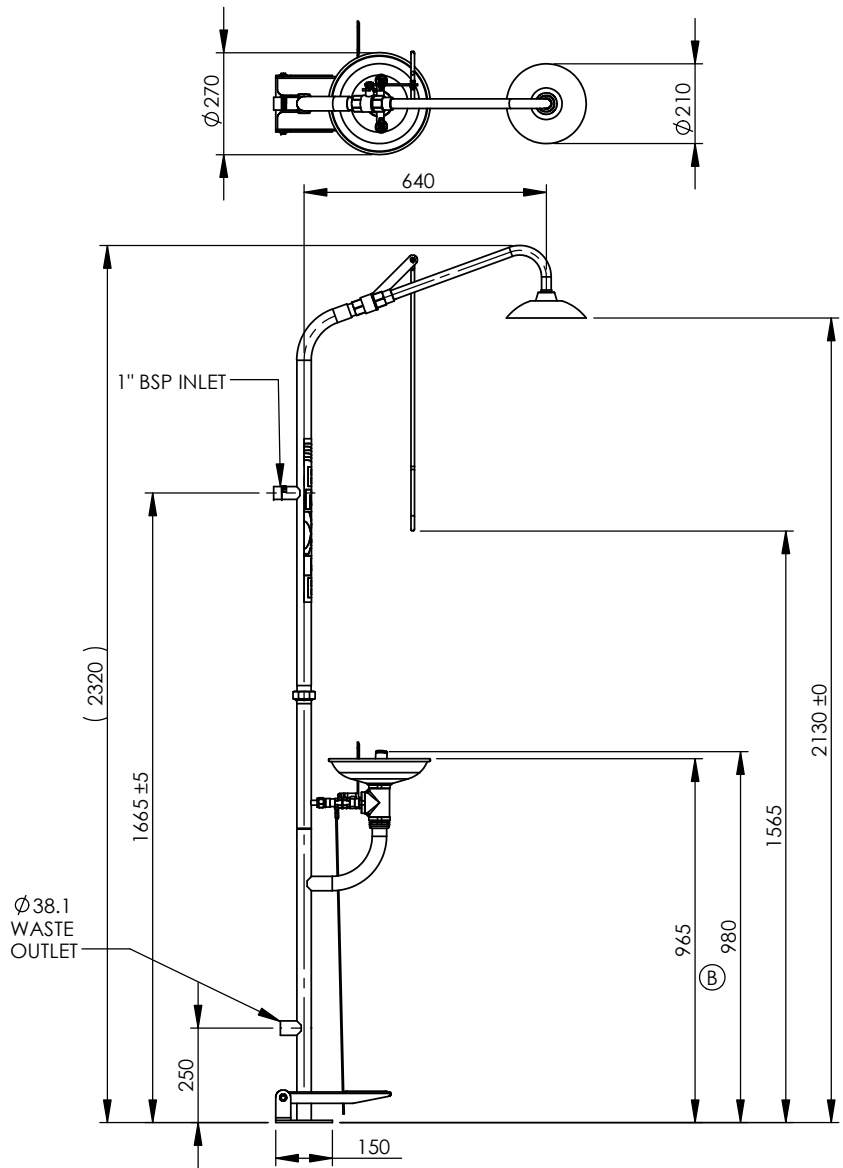
- Audio/Visual alarms for alerts
- Flow pressure and proximity switches to activate alarms & lights
- Thermal relief valve removes built-up hot water
- Insulation of pipework to moderate water temperature build up
- Anti-freeze valve for cold weather applications
- NPT flange connectors
- Custom manufacturing & design
- Standards compliant signage

Technical Information

Inlet Connection	25 mm (1") BSP
Water Supply Line Size	Must be hydraulically sized to meet requirements.
Minimum Performance Requirements	Min Working Pressure: 210 kPa Caution should be taken when pressure exceeds 550 kPa (80 psi) Shower: Min Flow Requirements: 76 lpm (20 US gpm) Eyewash: Min Flow Requirements: 17 lpm (4.5 US gpm)
Waste Water Outlet Size	38 mm (1 1/2") OD
Mounting Base Plate	Size: 150 x 150 mm (5 9/10" x 5 9/10") with 4 Bolt Holes 11 mm (7/16")
Shipping	Weight: approx. 12.7kg Dimensions: 1160 x 300 x 250 mm



FEB12



REV	DATE	CN	AMENDMENTS	MODIFIED BY
A	15/06/11		FIRST ISSUE	
B	31/10/11		980 WAS 1005 (B)	KN
C	01/02/12		BILL OF MATERIAL CHANGED	KN

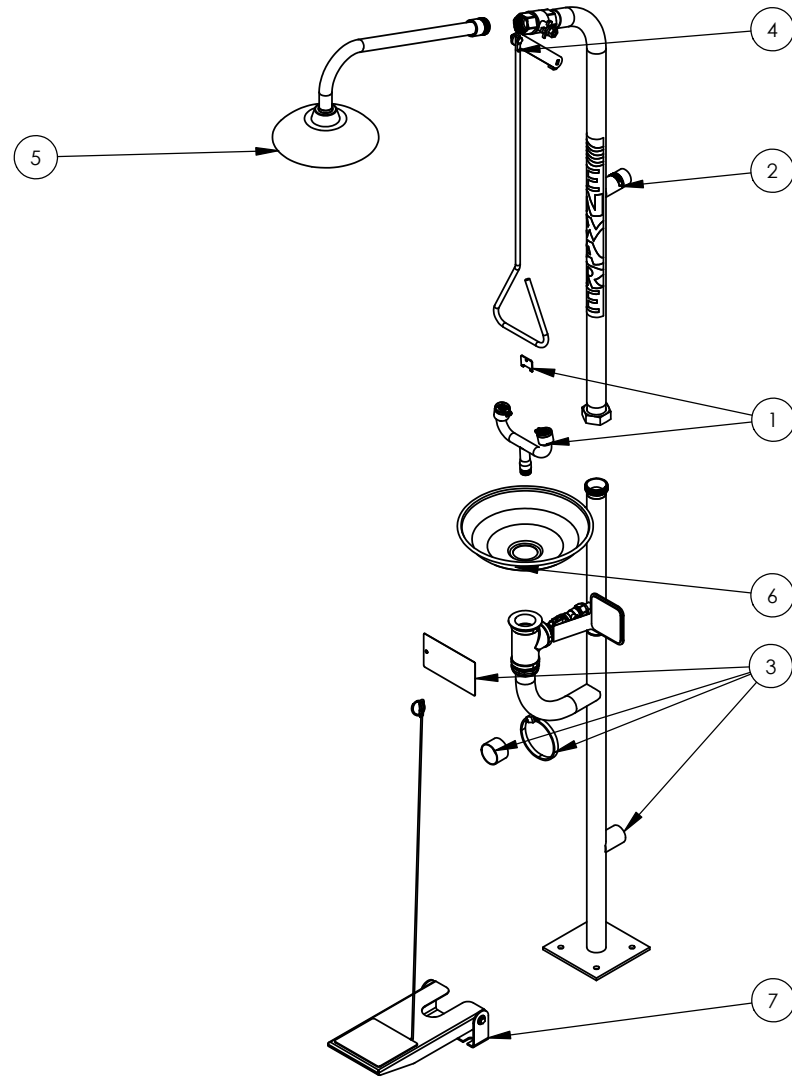
GENERAL NOTES:
 REMOVE ALL BURRS AND SHARP EDGES UNLESS OTHERWISE STATED
 DIMENSIONS ARE IN mm's

TOLERANCE EXCEPT WHERE STATED:

NO DECIMAL POINT / 0.2
 ONE DECIMAL PLACE / 0.1
 TWO DECIMAL PLACES / 0.05
 ANGLES / 1

ENWARE RESERVES THE RIGHT TO AMEND PRODUCT SPECIFICATIONS AND DESIGNS WITHOUT NOTICE.

DRAWN	KN	9 Endeavour Rd, Caringbah, NSW, 2229 Ph. 61-2-9525-9511 Fax. 61-2-9524-8421	
CHECKED			
APPROVED			
TITLE: S/S COM D/SHWR EYE WSH HND/FT			
Scale: Not To Scale		Scale: Not To Scale	
MATERIAL:			
FINISH:			
This drawing is the Copyright of Enware Australia Pty Ltd and may not be reproduced in full or part without the written consent of Enware Australia Pty Ltd		DWG NO.	SHEET 1 OF 2
		ECE090	



ITEM NO.	PART NUMBER	DESCRIPTION	QTY.
1	794368	SUB ASS EYEWASH OUTLET ECE SHOWER	1
2	794224	SUB ASS ECE TOP COMPLETE	1
3	794230	SUB ASS ECE BOTTOM W/EYEWASH CONTROL	1
4	794225	SUB ASS ECE PULL HANDLE	1
5	794553	SUB ASSY SHOWER ARM AND ROSE ECE SHOWER	1
6	891097	BOWL NEW STYLE 304 SS 0.9MM ECE	1
7	790486	SUB ASS FOOT PEDAL W/CABLE ECE SHOWER	1

REV	DATE	CN	AMENDMENTS	MODIFIED BY
A	15/06/11		FIRST ISSUE	
B	31/10/11		980 WAS 1005 (B)	KN
C	27/01/12		BILL OF MATERIAL CHANGED	KN

GENERAL NOTES:
 REMOVE ALL BURRS AND SHARP EDGES UNLESS OTHERWISE STATED
 DIMENSIONS ARE IN mm's

TOLERANCE EXCEPT WHERE STATED:

NO DECIMAL POINT	± 0.2
ONE DECIMAL PLACE	± 0.1
TWO DECIMAL PLACES	± 0.05
ANGLES	± 1

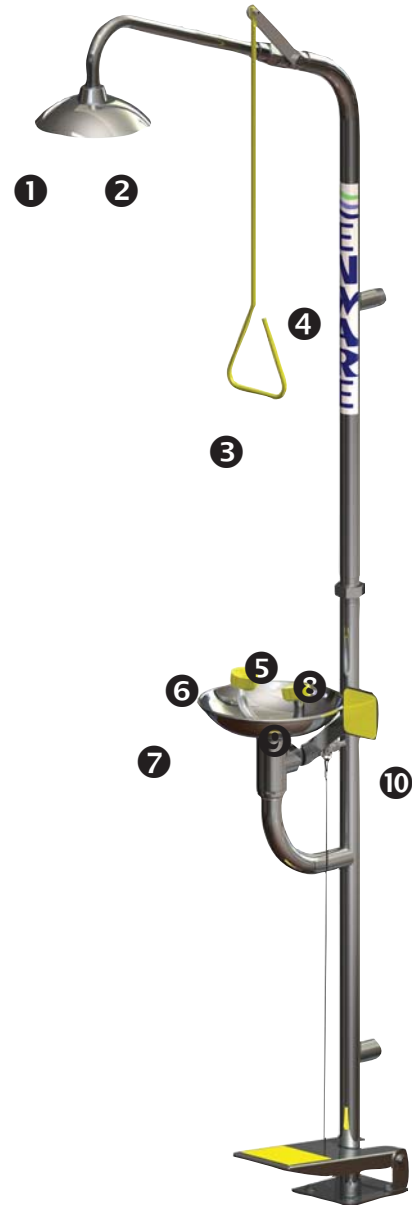
ENWARE RESERVES THE RIGHT TO AMEND PRODUCT SPECIFICATIONS AND DESIGNS WITHOUT NOTICE.

DRAWN	KN	9 Endeavour Rd, Caringbah, NSW, 2229 Ph. 61-2-9525-9511 Fax. 61-2-9524-8421		
CHECKED				
APPROVED				
TITLE: S/S COM D/SHWR EYE WSH HND/FT				
Scale: Not To Scale			Scale: Not To Scale	
MATERIAL:				
FINISH:				
This drawing is the Copyright of Enware Australia Pty Ltd and may not be reproduced in full or part without the written consent of Enware Australia Pty Ltd			DWG NO.	SHEET 2 OF 2
			ECE090	

ANSI Z358.1 – 2009 Emergency Showers Equipment Minimum Performance Checklist

RECOMMENDED TESTING FLOW PRESSURE IS 30 psi (+.5 psi -.0 psi)

- Safety equipment shall be accessible within 10 seconds of hazard. (Sec 4.5.2, 5.4.2, 6.4.2, 7.4.2)
- Safety equipment shall be located on the same level as the hazard and the path of travel shall be free of obstructions. (Sec 4.5.2, 5.4.2, 6.4.2, 7.4.2)
- All employees subject to exposure to hazardous material should be instructed in the location and proper use of emergency equipment. (Sec 4.6.4, 5.5.4, 6.5.4, 7.5.4)
- Emergency equipment shall be activated weekly. (Sec. 4.6.2, 5.5.2, 6.5.2, 7.5.2) All shower units shall be inspected annually to assure conformance with ANSI Z358.1. (Sec. 4.6.5, 5.5.5, 6.5.5, 7.5.5)
- Combination unit components shall be capable of operating simultaneously and shall be positioned so that components may be used simultaneously by the same user. (Sec. 7.3, 7.4.4)
- All plumbed emergency equipment shall be connected to a continuous source of flushing fluid supply which may be drinking water, preserved water, preserved buffered saline solution or other medically acceptable solution manufactured acceptable solution manufactured and labelled in accordance with applicable government regulations. (Sec 4.4, 4.10, 6.7 (c)), 7.5 (b), 8.5 (b), 9.5 (b), 11.3.3 (c))
- Drench hose must deliver a controlled flow of flushing fluid at a velocity low enough to be non-injurious. (Sec. 8.2.1)
- A drench hose can only be considered an eyewash – eye/face wash if it meets performance requirements in Sec. 5 and/or 6.
- Delivery of tepid flushing fluid.* (Sec. 4.5.6, 5.4.6, 6.4.6, 7.4.5). *Suggested temperature range – above 60°F (16°C) and below 100°F (38°C)
- Showerhead must be 82 to 96 inches (208.3cm – 243.8cm) above surface floor of user (Sec. 4.1.3, 7.1) **1**
- Shower must deliver minimum of 20 gallons (75.7L) per minute and provide a column of water 20 inches (50.5cm) wide at 60 inches (152.4cm) above the surface floor of the user. (Sec. 4.1.2, 4.1.4, 7.1) **2**
- Valve shall be designed so that the flushing flow remains on without the use of the operator's hands. The valve shall be simple to operate and go from "off" to "on" in one second or less and actuator can not be more than 69 inches (173.3cm) from surface floor of user. (Sec. 4.2.7.1) **3**
- Emergency equipment location shall be well lit and identified with a highly visible sign. (Sec. 4.5.3, 5.4.3, 6.4.3, 7.4.3) **4**
- Must provide a means of controlled flow to both eyes simultaneously at a velocity low enough to be non-injurious. (Sec. 5.1.1, 6.1.1, 7.1) **5**
- Eye/face wash equipment must deliver minimum of 3 gallons (11.4L) per minute of water for 15 minutes. (Sec. 6.1.6, 7.1) Eyewash only must deliver minimum of 0.4 gallon (1.5L) per minute for 15 minutes. (Sec. 5.1.6, 7.1) **6**



- The flushing fluid of an eyewash – eye/face wash shall cover the areas between the interior and exterior lines of a gauge at some point less than 8 inches (20.3cm) above the eyewash nozzle. (Sec. 5.1.8, 6.1.8, 7.1) **7**
- Outlets shall be protected from airborne contaminants. (Sec. 5.1.3, 6.1.3, 7.1) **8**
- Flushing fluid nozzles should be 33 to 45 inches (83.8cm – 114.3cm) from floor and minimum of 6 inches (15.3cm) from wall. (Sec. 5.4.4, 6.4.4, 7.1) **9**
- Valve shall be designed so that the flushing flow remains on without the use of the operator's hands. The valve shall be simple to operate and go from "off" to "on" in one second or less. (Sec. 5.2, 6.2, 7.2) **10**

SPECIALIST
PLUMBING SOLUTIONS

ADAPTABLE WORK
& LIVING SOLUTIONS

ENVIRONMENTAL, HEALTH
& SAFETY SOLUTIONS

STAINLESS STEEL
WASHROOM SYSTEMS



ADDRESS: 9 Endeavour Road, Caringbah NSW 2229 Australia

POSTAL ADDRESS: P.O. Box 2545, Taren Point NSW 2229 Australia

PHONE: 61 2 8536 4000 FAX: 61 2 8536 4055

1300 369 273 (AUS) WWW.ENWARE.COM.AU INFO@ENWARE.COM.AU

