

RAINWATER HARVESTING SYSTEM VORTEX FINE FILTERS

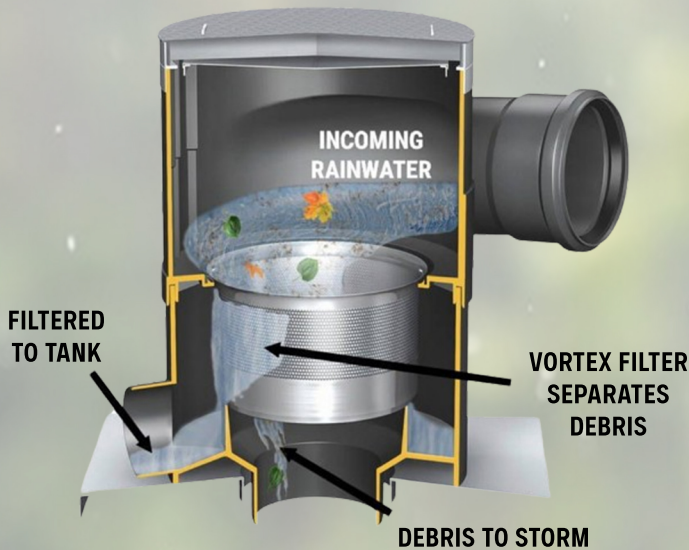


High Efficiency Rainwater Collection with Self-Cleaning System

Vortex Fine Filter uses a vertical filter mesh.

Leaves, moss or particles are simply flushed through the filter and get separated efficiently.

Rainwater filtered by the vortex fine filter is not only clean, but also highly oxygenated, this is important to prevent the growth of anaerobic bacteria as its growth can be inhibited in oxygenated water.



"a smart way to harvest rainwater, just plug & harvest"



**Roof catchment areas in tropical climate zones*



HYGIENIC MATERIALS
304 Stainless Steel Filter,
mesh size 0.28 mm (basic version)



HIGH EFFICIENCY
Collects up to over
90% of water



OXYGEN ENRICHMENT
Filtering process oxygenates water,
which enhances it's quality

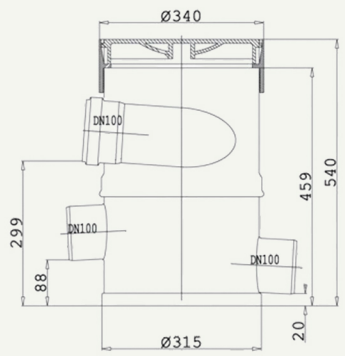
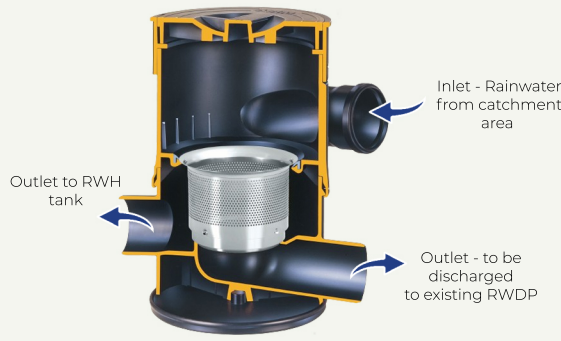
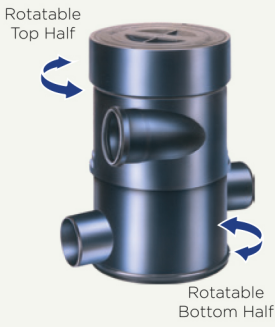


LOW MAINTENANCE
Minimal Clogging - most solids
are easily flushed away



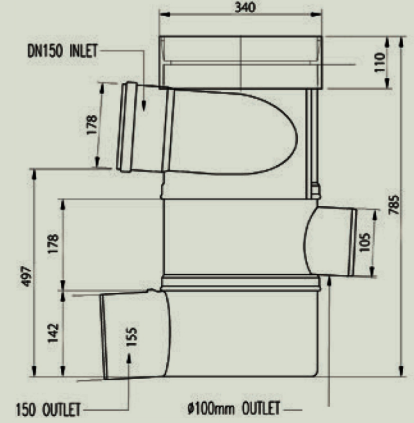
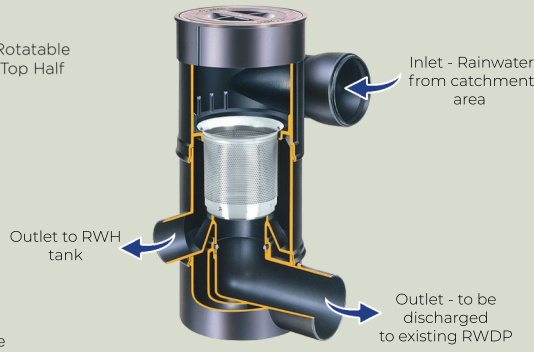
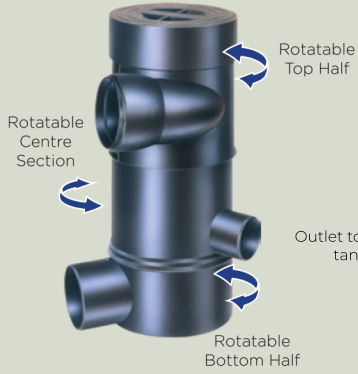
ADJUSTABLE OUTLET ANGLE
Rainwater inlet and outlet
can be freely rotated

Vortex 100



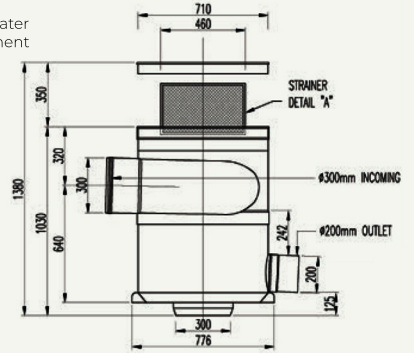
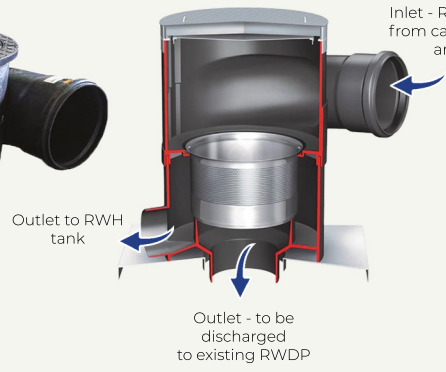
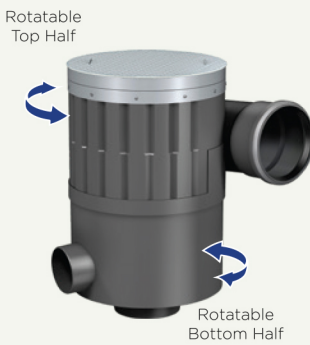
for roof areas 100 m2 *

Vortex 150



for roof areas 250 m2 *

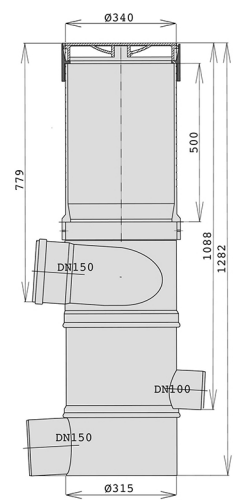
Vortex 300/ Vortex 300 POLY SEAL



for roof areas 1500 m2 *

*Roof catchment areas in tropical climate zones

Extension tube (Optional)
Available for Vortex 100 & 150
To raise the inspection opening to the ground level. Easily cut to length along guide grooves on tube surface



JAKARTA
PT Sanwell Austindo
Jl. Gunung Sahari Raya No. 73c/8
Jakarta Pusat 10610
Indonesia
T: +62 21 424 5952
F: +62 21 424 6061
E: sanwell@austindo.id

BALI
PT Austindo Perdana
Jl. By Pass Ngurah Rai No. 1 B-3
Simpang Dewa Ruci, Kuta Bali 80361
Indonesia
T: +62 361 767 570
F: +62 361 767 572
E: bali@austindo.id